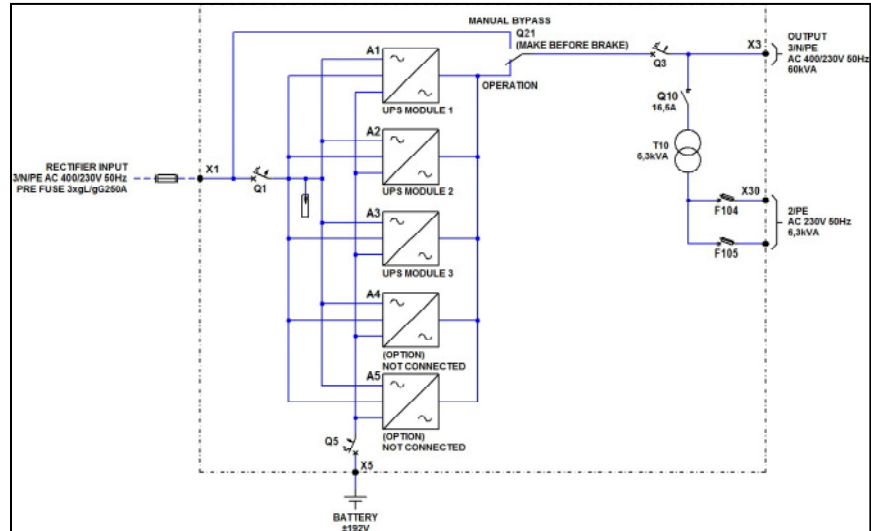


# Modular industrial UPS

Type USV-4601-100-20M



## Special features

- Modular design
- Custom designed industrial options
- compact dimensions
- low weight
- Hot-swappable
- silent operation
- programmable battery voltage



**GUSTAV KLEIN**  
POWER SUPPLIES - since 1948

Type		USV-4601-100-20M		
Capacity	UPS Cabinet	20~100kVA/9~90KW		
	UPS Module	20kVA/18KW		
Input	Phase	3 Phase 4 Wires and Ground		
	Rated Voltage	380/400/415VAC		
	Voltage Range	208~478VAC		
	Frequency Range	40Hz-70Hz		
	Power Factor	≥0.99		
	Current THDi	≤3%(100% nonlinear load)		
	Bypass Voltage Range	Max. voltage: +15%(optional +5%,+10%+25%) Min. voltage: -45% (optional -20%,-30%) Frequency protection range: ±10%		
Generator Input	Support			
Output	Phase	3 Phase 4 Wires and Ground		
	Rated Voltage	380/400/415VAC		
	Power Factor	0.9		
	Voltage Regulation	±2%		
	Frequency	Utility Mode	±1%,±2%,±4%±5%,±10% of the rated frequency (optional)	
		Battery Mode	(50/60±0.2%)Hz	
	Crest Factor	3:1		
	THD	≤2% with linear load ≤5% with non linear load		
Waveform	Pure Sinewave			
Efficiency	≥93,7%			
Battery	Voltage	±192V/±204V/±216V/±228V/±240V DC; battery quantity (optional)		
	Charging Current	UPS Cabinet	30A max.	
		UPS Module	6A max.	
charge current can be set according to battery capacity installed				
Protection	Overload behavior	AC Mode	110%/60min; 125%/10min; 150%/1min, ≥150% shut down UPS immediately.	
		Bat. Mode	110%/10min, 125%/1min, 150%/1sec., ≥150% shut down UPS immediately.	
		Bypass Mode	Breaker 40A	
	Short Circuit	Hold Whole System		
	Overheat	Line Mode: Switch to Bypass; Backup Mode: Shut down UPS immediately		
	Battery Low	Alarm and Switch off		
	Self-diagnostics	Upon Power On and Software Control		
	EPO (optional)	Shut down UPS immediately		
	Battery	Advanced Battery Management		
Noise Suppression	Complies with EN62040-2			
Alarms	Audible & Visual	Line Failure, Battery Low, Overload, System Fault		
Display	Status LED & LCD	Line Mode, Eco Mode, Bypass Mode, Battery Low, Battery Bad, Overload & UPS Fault		
	Reading On the LCD	Input Voltage, Input Frequency, Output Voltage, Output Frequency, Load Percentage, Battery Voltage & Inner Temperature		
Communication Interface		RS232, RS485, Intelligent slot x 2, Dry Contact		
Environment	Operating Temperature	0 – 40°C		
	Storage Temperature	-25 – 55°C		
	Humidity	0 – 95% non condensing		
	Altitude	< 1500m		
Dimensions (W*D*H)	UPS Cabinet	600x800x2000mm		
	UPS Module	580x443x131mm		
Weight (kg)	UPS Cabinet	330		
	UPS Module	31		
Safety Conformance		CE,EN/IEC 62040-2, EN/IEC 62040-1-1		

03/2014

Modifications subject to change

D-86956 Schongau, Im Forchet 3  
D-86952 Schongau, Postfach 12 48  
Tel. +49 8861 209-0, Fax +49 8861 209-180



A-6401 Inzing/Tirol, Schießstand 2  
Tel. +43 5238 54209-0  
Fax +43 5238 54209-23

E-Mail: [vertrieb@gustav-klein.com](mailto:vertrieb@gustav-klein.com) Internet: [www.gustav-klein.com](http://www.gustav-klein.com)